

PLANET Data Communication Server Technical Manual



Table of contents

0	Overview	3
1	Product hardware specifications	4
2	Hardware Block Diagram	5
3	Appearance	6
4	Dimension	7
5	Led Indicators	9
6	Mounting.....	10

0 Overview

The PLANET Communication Terminal is a light equipment that enables mobile communication on the ground and in the air, using terrestrial and satellite networks.

The PLANET Communication Terminal is compatible to Inmarsat and Iridium satellite networks, as well as terrestrial cellular networks (LTE). It is based on an Intel Atom processor and offers a local interface (Ethernet) and serial interface (USB), an extensive storage capacity (SD Card), and includes a GPS receiver for timing and location.

Embedded PLANET applications, available through an additional user tablet or PC terminal, provide added value functions such as tracking, messaging and weather data exchange.

1 Product hardware specifications

Interfaces and connectors

- 28VDC Power Supply:
ASNE0053R12B3PNE
- Ethernet (10/100) : 1RJ45 port
- GPS : TNC Female
- IRIDIUM : TNC Female
- LTE : SMA Female
- Front panel LTE Sim Card slot
- 1 USB 2.0

Features

- Fanless Processor Board (PC104) : Intel
ATOM
- Linux OS
- Memory : 1GB
Additional storage capacity (SD Card)
- Iridium Module : 9523
- GPS/LTE module : Sierra Wireless MC7304

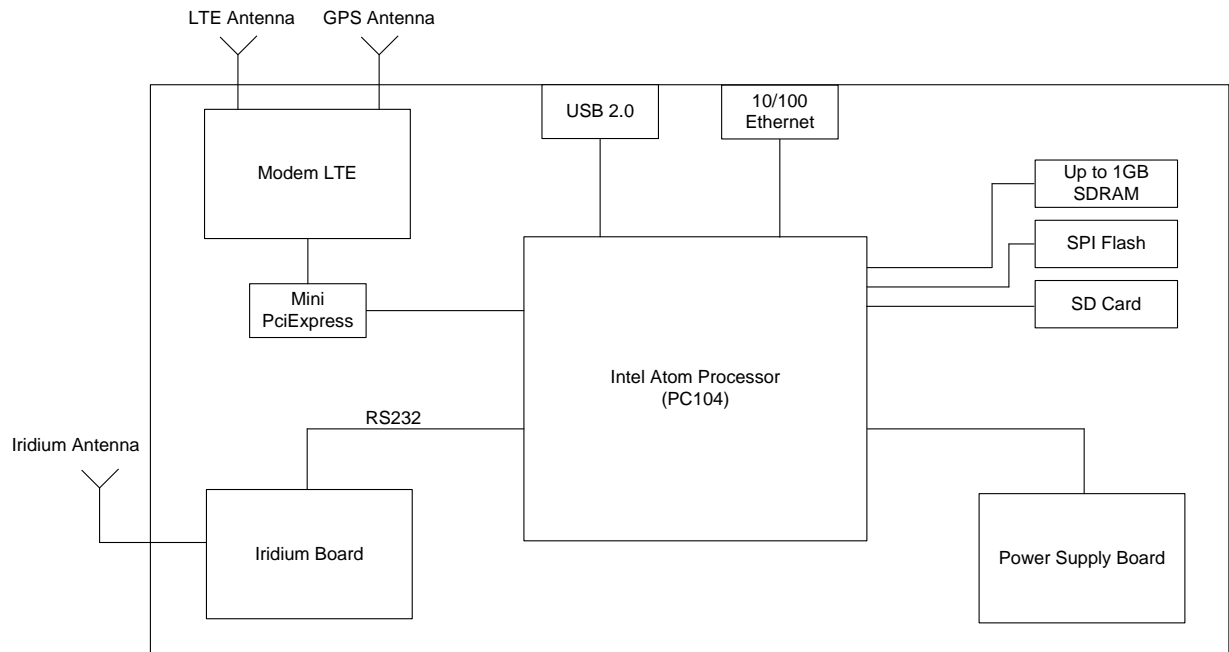
Power Requirements

- Power Supply : 28VDC
- Consumption : 15W

Mechanical Characteristics

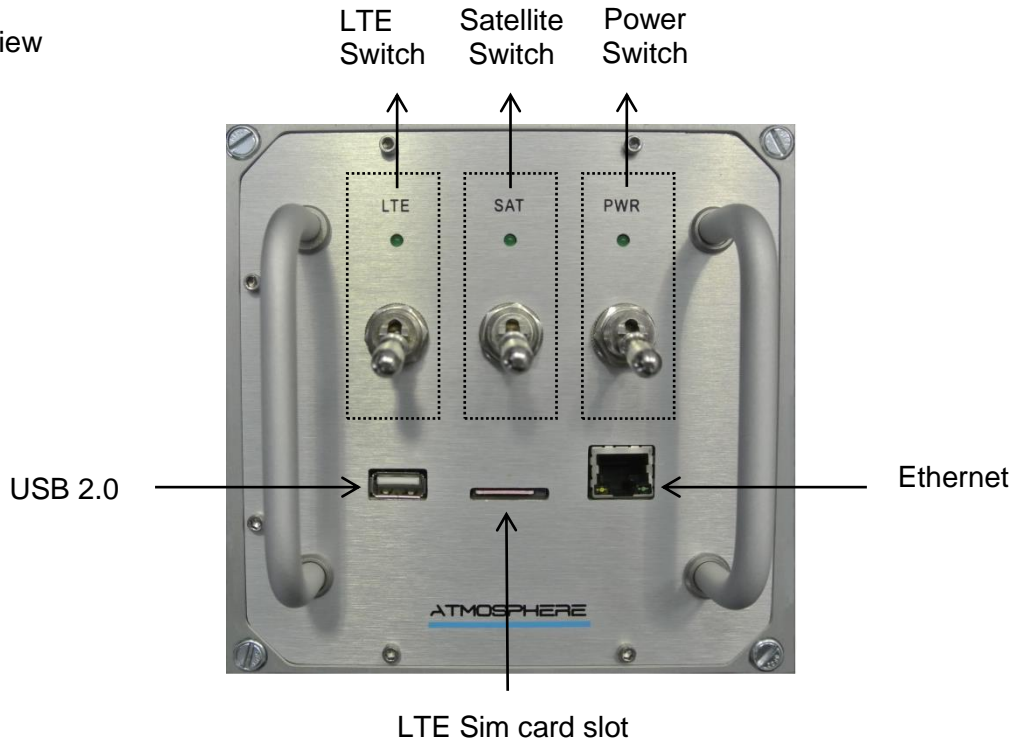
- DZUS Aluminium Case
Enclosure : 160 x 145 x 145 mm
- Weight : 2.2 kg
- Mounting : ¼ Turn Studs

2 Hardware Block Diagram

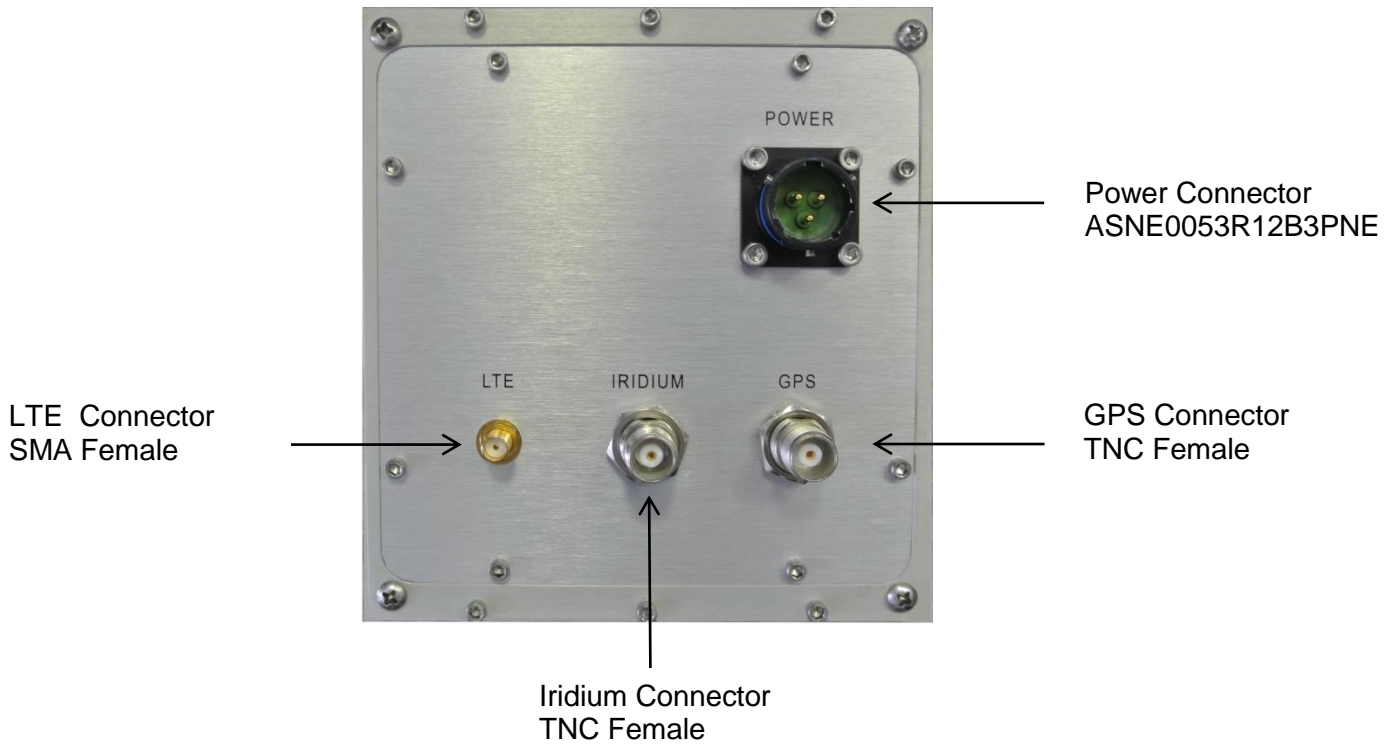


3 Appearance

Front view

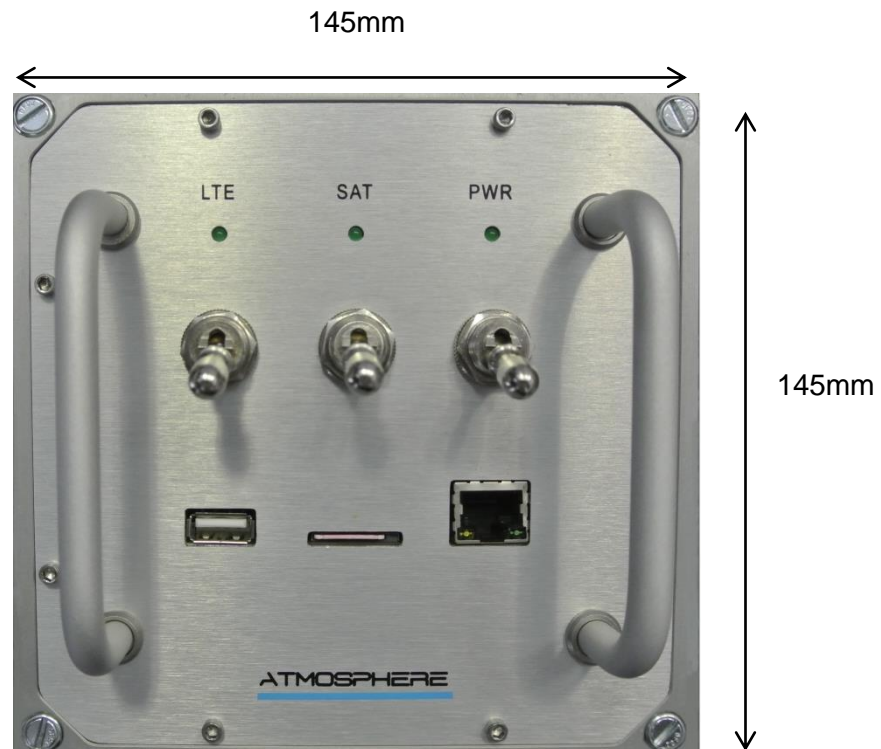


Back view

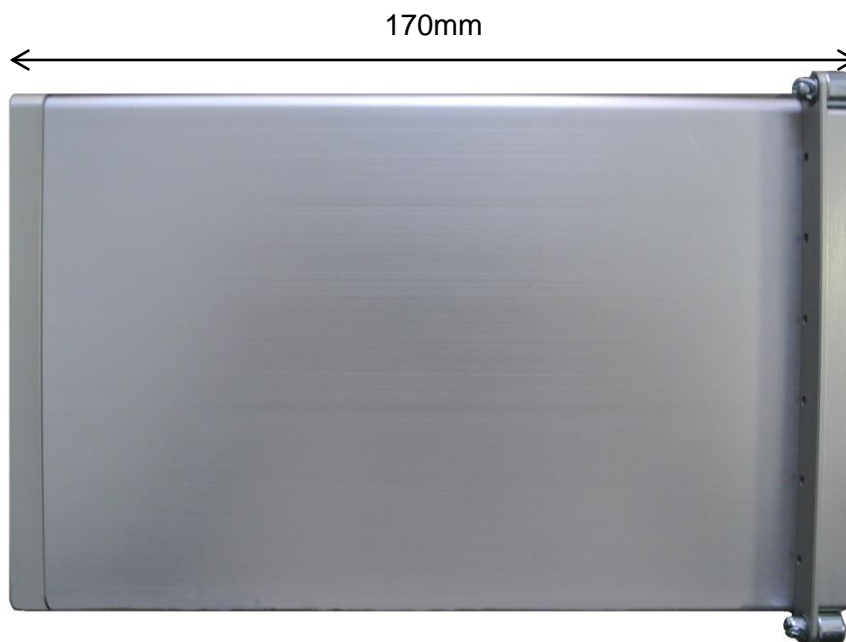


4 Dimension

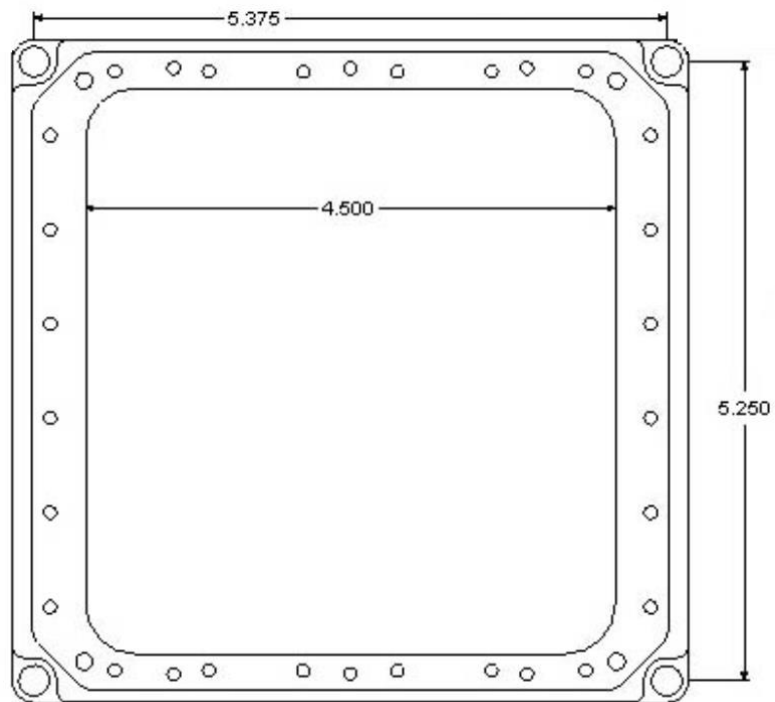
Front view



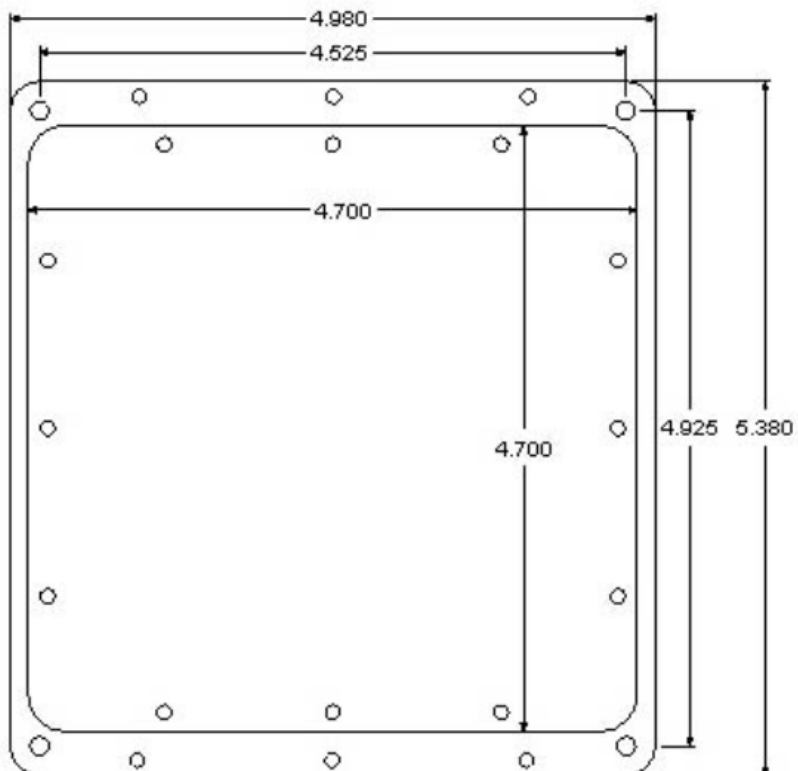
Side view



Dimensional Line Drawing – Front End Cap



Dimensional Line Drawing - Back End Cap



5 Led Indicators

Led name	Color	Meaning
PWR (POWER)	Green	Power is on
	Off	No power is being received
SAT (IRIDIUM)	Green	Iridium Modem is turned on
	Off	Iridium Modem is turned off
LTE (CELLULAR)	Green	RF Emissions are activated
	Off	RF Emissions are deactivated

6 Mounting

The Planet Box offers the possibility to be mounted on a MS25212 rack with 4 DZUS screws.

